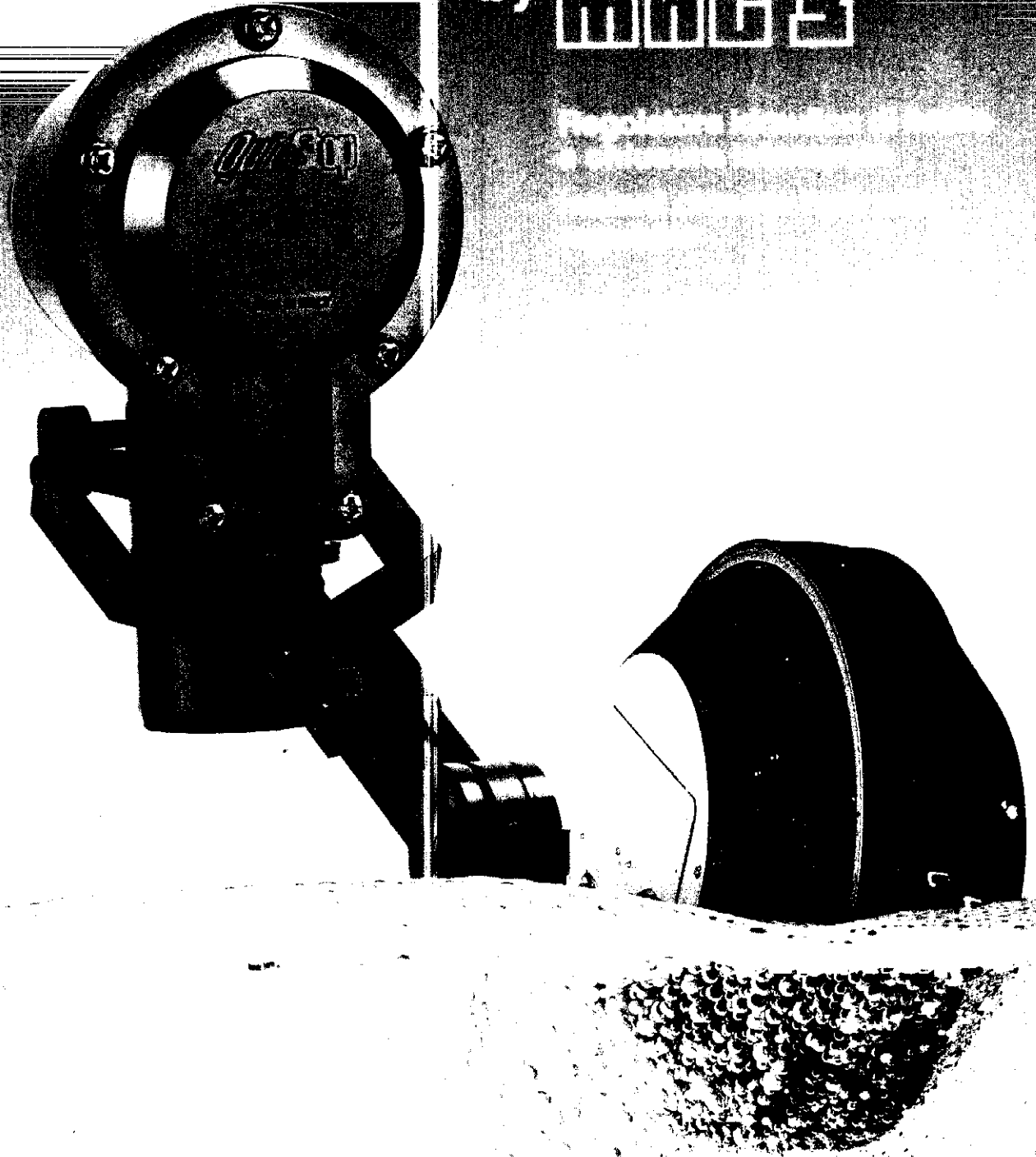


# OUTSTOP

by **HAGEE**



# QuickStop

by MACE

PAT. FI/96/A/000083

## Instant closure hydraulic regulator

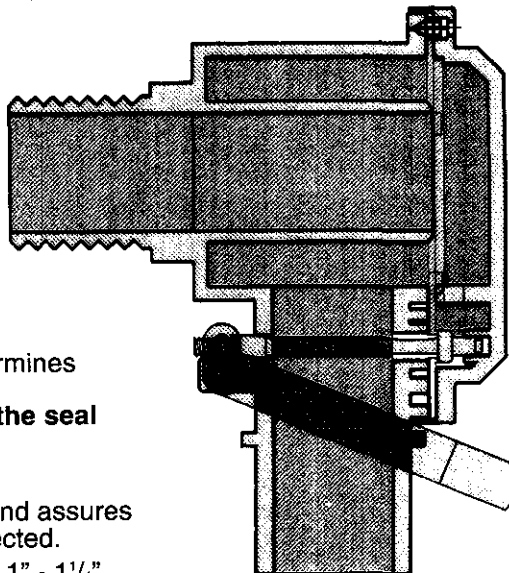
The "QuickStop" is an hydraulic level regulator projected with a new system to debug the typical defects of these equipments.

The new, most important feature of the patent is the rapidity of closing and opening of waterflow in a split second.

Such characteristic avoid long noise time caused by a throttled filling with reducing passages of water till the complete closing after some minuts.  
In old system even in case of little quantities of water drawn from the tank it would happen the same dripping.

Besides the operation rapidity, the system gives also the possibility to use a differential, so that the new filling intervention occurs only after the drainage of some centimeters of water.

As the closing mechanism action is servocontrolled the little float which operates the device enough for any diameter of pipeline to be controlled. The device closing force (which doesn't depend on the float bouiancy, but only on the pipeline pressure) determines the following situation:  
**Increases in line pressure increase the seal tightness of the device.**



The device is made of polycarbonate and assures that the equipment is hygienically protected.  
The available input diameters are: 3/4" - 1" - 1 1/4" - 1 1/2".

The diam output is 1" for all the input diameters.  
It's recommended to insert in such diam a soft plastic pipe and bring the waterflow on the tank footing.

The above allows to obtain a completely silent filling in any phase.

### General characteristics valid for all types:

Container material .....	Polycarbonate
Operating temperature .....	0 + +50°C
Storage temperature .....	-20 +80°C
Service .....	continuous
Working pressure .....	0,2 - 6 Bar
Overpressure .....	10 Bar

