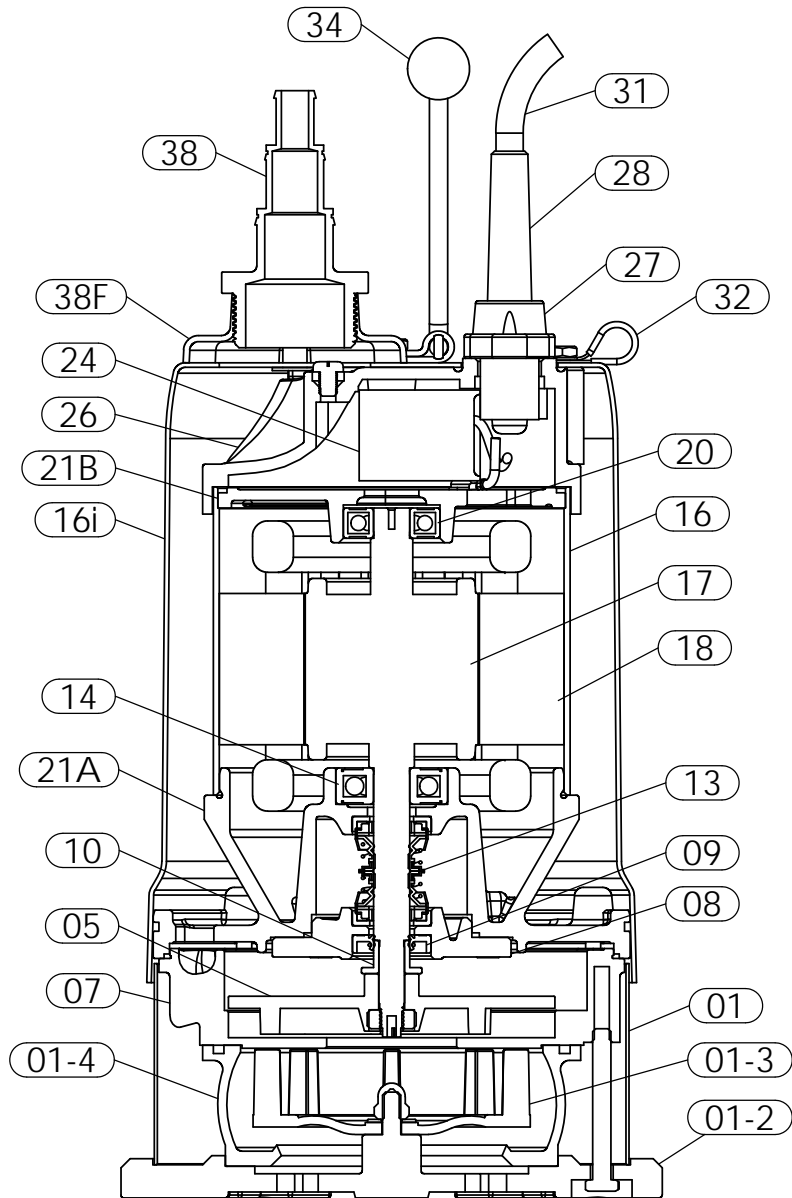


久欣電機股份有限公司
JOUNG SHIN ELECTRIC CORP.

機型	RSD400	比例		核准	
零件	爆炸圖	單位	mm	校對	
檔名	RSD400_EXPLODE	日期	2019/7/2	繪圖	陳清祐



MODELS:RSD400			
Part NO.	Description	Materials	New Code NO.
01-2	BOTTOM PLATE	NBR	0200900010501
01	Strainer	SUS 304	0100700011201
01-3	SWING CHEAK VALVE	NBR	0101000010501
01-4	RUBBER CUP	NBR	0101100010501
05	Impeller	PC+GF	0202200060401
07	Pump housing	FC 200	0203400291601
08	Cover of oil chamber	FC 200	0204000011601
09	Lip seal	NBR	0404702000000
10	Shaft sleeve	SUS 304	0105300021201
11	Plugs(08)	SUS 304	0306000000000
13	Mechanical seal	C/C,S/C	0307301000000
14	Bearing (bottom)		0313000040002
16	Motor casing	SUS 304	0109200031201
16i	Outer pump casing	SUS 304	0209900011201
17	Rotor	SUS 304	0211000000015
18	Stator		0211705020003
20	Bearing (up)		0313000010000
21A	Motor bottom cover	FC 200	0213600011601
21B	Motor Upper cover	FC 200	0214200071601
24	Condenser		0415004020000
26	Upper cover	FC 200	0215700011601
27	Cable gland	NYLON+FG	0117000013201
28	Rubber sleeve	NBR	0418400000000
31	Cable		0319501034000
31E	Earth		0420900000002
32	Cable Clamps	SUS 316+NBR	0421100000001
34	Handle	SUS 304+NBR	0222200022501
38	Discharge outlet	PP	0123600053701
38F	Flange	SUS 304	0225200121201
07-1	Oring	NBR	0433400000005
08-1	Packing	NBR	0433500000001
16-1	Oring	NBR	0433400000056
16i-1	Oring	NBR	0433400000016
21B-1	Oring	NBR	0433501000001
26-1	Oring	NBR	0433400000006
27-1	Packing	NBR	0433500000004
34-1	Oring	NBR	0433500000006
38F-1	Gasket	NBR	0233500000012



JOUNG SHIN ELECTRIC CORP.

RSD400

mm

RSD400_SECTION_BOM

2019/7/5