



# WATER SYSTEMS ECODIVER





## APPLICATIONS

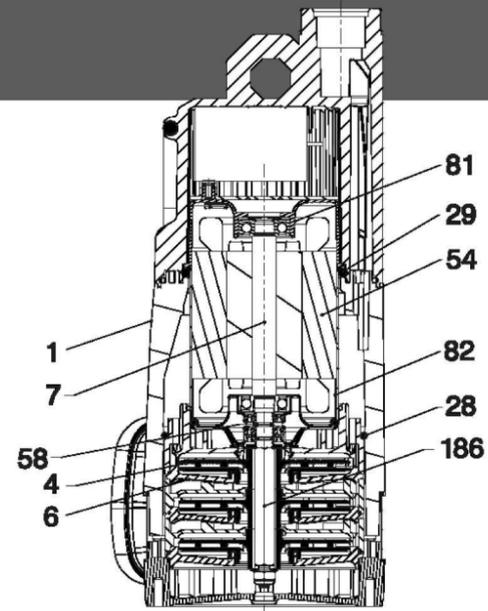
### Powerfull Multi-stage Submersible Pumps

Available with 2,3 and 4 impellers. Suitable to pump clear water. Manufactured with anti-corrosive and rust-proof materials. Motor with thermic overload protection. Wear resistant shaft. Anti-debris stainless steel strainer.

The excellent cooling of the motor that enables the pump to operate even when it is partially submerged. An automatic version is available with a start/ stop float switch. Supplied with power cable with plug, non return valve and 4-step fitting.

ideal for

- rain water systems
- operating sprinklers
- pumping water from tanks & cisterns,
- pumping water from ponds and wells
- other applications that require high pressure



## TECHNICAL DATA

### CONSTRUCTION

No.	Description	Material
1	Pump Body	PP OMO 30% FVAC
4	Impeller	PPO/PPE 20% FV
6	Diffuser	PPO/PPE 20% FV
7	Rotor Shaft	INOX AISI 416
28	O Ring	NBR 70
29	O Ring	NBR 70
54	Motor Casing	fe PO1 0.65mm
58	Ceramic Bush	INOX AISI 416
81	Upper Bearing Support	Cast Aluminium
82	Lower Bearing Support	Cast Aluminium
186	Pump Shaft	Hexagonal AISI 303

## TECHNICAL DATA

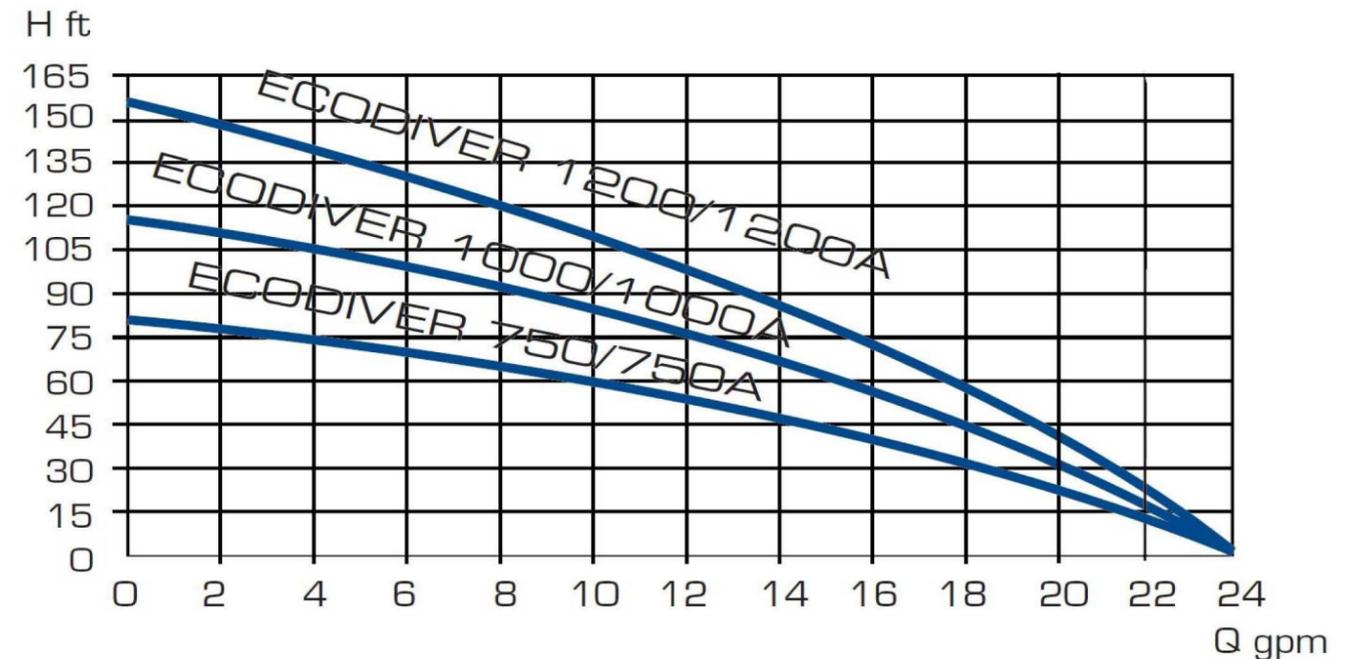
### FEATURES & BENEFITS

- Plug & Play
- Large range to cover various requirements
- Provides Excellent flows "In a compact design"
- Efficient motors
- 115v 60Hz
- CSA and UL approved
- Dry Run protection (with Float Switch)
- Built in thermic overload

## TECHNICAL DATA

Model	HP	Watts	Volts	Frequency	Amps	FloatSwitch	MaxFlow	Max Head	Impellers	Max PSI
ECODIVER 750	1/2	750	115	60 Hz	6.8	No	25 gpm	79 ft	2	35
ECODIVER 750-A						Yes				
ECODIVER 1000	3/4	900	115	60 Hz	8.4	No		118 ft	3	52
ECODIVER 1000-A						Yes				
ECODIVER 1200	1	1100	115	60 Hz	9.8	No	157 ft	4	64	
ECODIVER 1200-A						Yes				

## TECHNICAL DATA



## DIMENSIONS

Model	H	H1	A	ØB	Weight	Pallet Qty
ECODIVER 750	13.8"	11.5"	5.9"	1"	16.0 lbs	40
ECODIVER 750-A	13.8"	11.5"	5.9"	1"	16.5 lbs	
ECODIVER 1000	14.8"	12.5"	5.9"	1"	18.7 lbs	
ECODIVER 1000-A	14.8"	12.5"	5.9"	1"	19.1 lbs	
ECODIVER 1200	15.8"	13.5"	5.9"	1"	19.4 lbs	
ECODIVER 1200-A	15.8"	13.5"	5.9"	1"	19.8 lbs	

