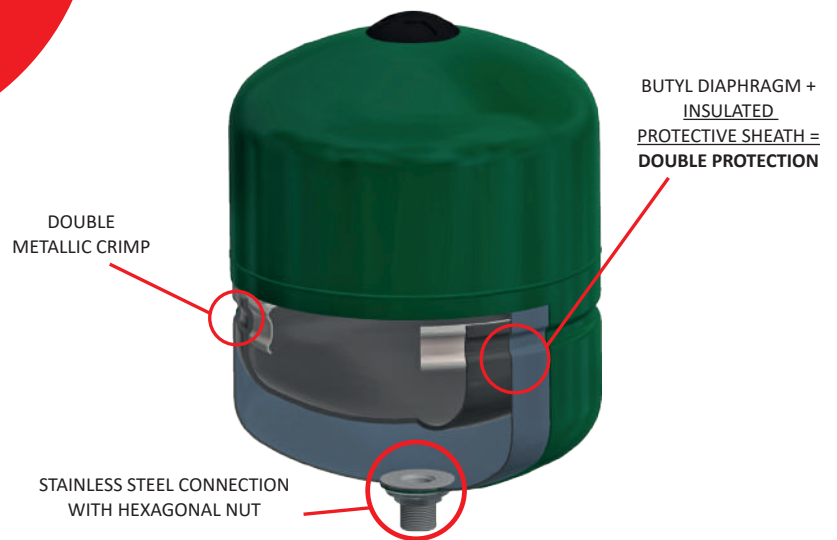


THERMOHYDRAULICS

STORAGE
HEATING
COOLING
SOLAR

NEW
PRODUCT



DP series

Multifunctional tanks
with fixed butyl diaphragm
and insulated protective sheath

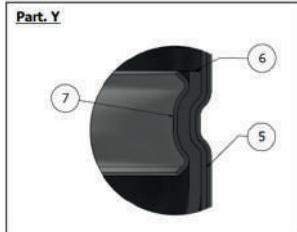
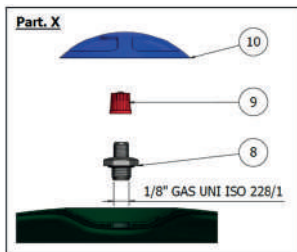
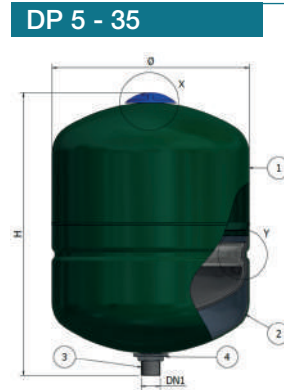




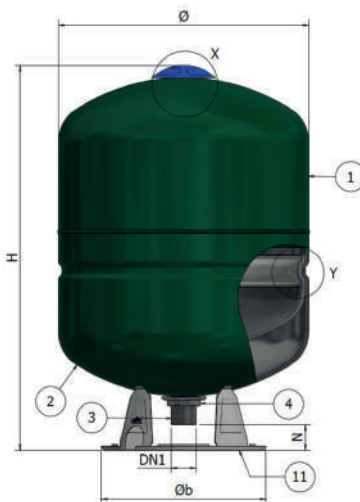
DP

MULTIFUNCTIONAL TANKS WITH FIXED BUTYL DIAPHRAGM AND INSULATED PROTECTIVE SHEATH

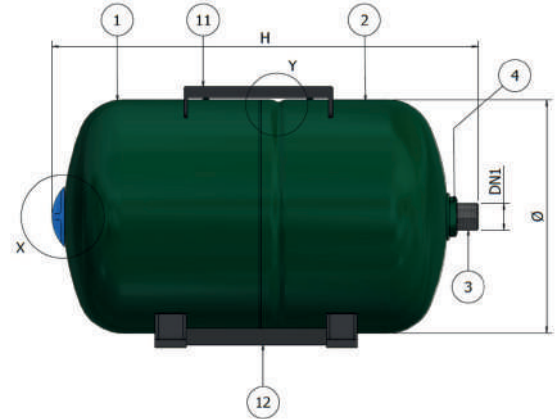
(5 - 500 LITRI)



DPV 50 - 500



DPH 18 - 24



- CE certified product
- For drinking water
- For sanitary hot water
- For heating systems

- For air conditioning systems
- For pressurisation systems
- Water hammer arrestor

Characteristics:

- Min./max. working temperature: -10° / +99°C
- Max working pressure: 10 bar
- Pre-charge pressure: 2,5 bar
- Hydrostatic test pressure: 14,3 bar
- Fixed alimentary diaphragm in butyl
- Alimentary protective sheath in butyl
- Stainless steel connection with hexagonal nut
- Double metallic crimp
- Long lasting epoxy powder paint, green RAL 6005;

Reference standard:

- Declaration of conformity to essential safety requirements specified in 2014/68/UE Directive;
- CE approved

Multifunctional tanks with fixed-bladder and protective sheath

Multifunctional sanitary vessels with fixed bladder are designed to be fitted both as expansion tanks into sanitary systems, suitable to absorb the water expansion volume generated by a changing temperature, as well as pressure tanks for cold water sanitary systems.

Both applications are possible thanks to the protective sheath with patented crimping system that ensures the protection against corrosion of the inner surface of the tank.

In your Domestic Hot Water system install Elbi expansion tanks in the cold water supply pipe (do not install in the hot water drawoff pipe).

WARRANTY: 5 YEARS

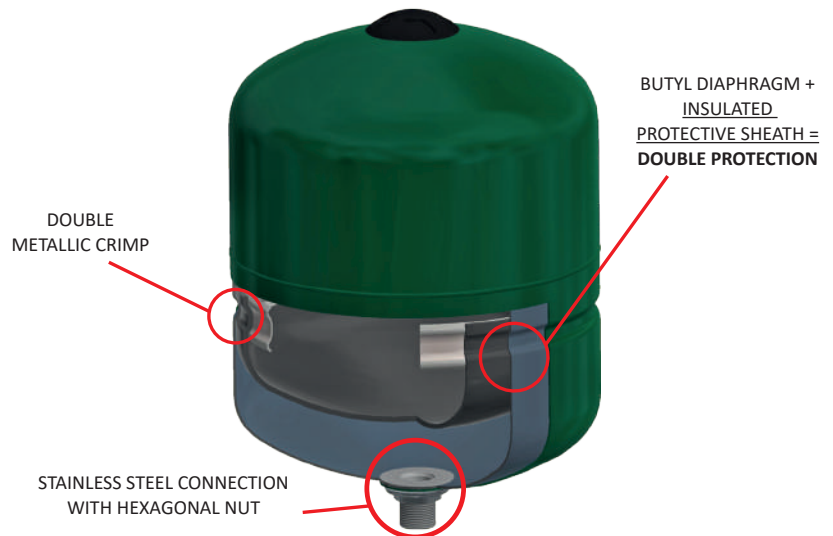
DIMENSIONS

MODEL	CODE	Cap. litres	P.pre bar	P.max bar	Temp. max	Diam. mm	H mm	Øb mm	DN1	N mm	Packing mm
DP 5	A2C2L11	5	2.5	10	+99°C	205	225	-	G3/4"	-	215 x 215 x 245
DP 8	A2C2L16	8	2.5	10	+99°C	205	290	-	G3/4"	-	215 x 215 x 305
DP 11	A2C2L19	11	2.5	10	+99°C	270	305	-	G3/4"	-	280 x 280 x 325
DP 18	A2C2L24	18	2.5	10	+99°C	270	400	-	G3/4"	-	280 x 280 x 420
DP 24	A2C2L27	24	2.5	10	+99°C	320	350	-	G1"	-	330 x 330 x 370
DP 24 /16	A2C2R27	24	2.5	16	+99°C	270	500	-	G1"	-	280 x 280 x 510
DP 35	A2C2L31	35	2.5	10	+99°C	400	400	-	G1"	-	415 x 415 x 430
DPH 20	A2E2L25	20	2.5	10	+99°C	270	285	-	G1"	-	315 x 315 x 460
DPH 20 att. 3/4"	A2F2L25	20	2.5	10	+99°C	270	305	-	G3/4"	-	315 x 315 x 460
DPH 24	A2E2L27	24	2.5	10	+99°C	270	305	-	G1"	-	315 x 315 x 520
DPH 24 att. 3/4"	A2F2L27	24	2.5	10	+99°C	270	305	-	G3/4"	-	315 x 315 x 520
DPV 50	A2C2L34	50	2.5	10	+99°C	400	565	330	G1"	68	415 x 415 x 590
DPV 80	A2C2L37	80	2.5	10	+99°C	400	825	330	G1"	68	415 x 415 x 835
DPV 100	A2C2L38	100	2.5	10	+99°C	500	745	330	G1"1/4	67	515 x 515 x 755
DPV 150	A2C2L43	150	2.5	10	+99°C	500	955	330	G1"1/4	67	515 x 515 x 965
DPV 200	A2C2L47	200	2.5	10	+99°C	600	1030	485	G1"1/4	107	615 x 615 x 1045
DPV 300	A2C2L51	300	2.5	10	+99°C	650	1195	485	G1"1/4	98	665 x 665 x 1205
DPV 500	A2C2L55	500	2.5	10	+99°C	775	1340	485	G1"1/4	108	790 x 790 x 1350

Available in WHITE version

MODEL	CODE	Cap. litri
DP 5	A2C2L11 V0020	5
DP 8	A2C2L16 V0020	8
DP 11	A2C2L19 V0020	11
DP 18	A2C2L24 V0020	18
DP 24	A2C2L27 V0020	24
DP 24 /16	A2C2R27 V0020	24
DP 35	A2C2L31 V0020	35
DPH 20	A2E2L25 V0020	20
DPH 20 att. 3/4"	A2F2L25 V0020	20
DPH 24	A2E2L27 V0020	24
DPH 24 att. 3/4"	A2F2L27 V0020	24
DPV 50	A2C2L34 V0020	50
DPV 80	A2C2L37 V0020	80
DPV 100	A2C2L38 V0020	100
DPV 150	A2C2L43 V0020	150
DPV 200	A2C2L47 V0020	200
DPV 300	A2C2L51 V0020	300
DPV 500	A2C2L55 V0020	500

IMMAGINE ILLUSTRATIVA





cod. 8109462 V8000 - 07/2022

Elbi S.p.A.

Sede legale e

stabilimento principale:

C.P. 103 - Via Buccia, 9
35010 LIMENA (PD)
Tel +39-049-8840677
Fax +39-049-8841610

Stabilimento e

deposito di Modugno:

Via delle Magnolie, 19
70026 MODUGNO (BA)
Tel +39-080-5316843
Fax +39-080-5316822

Elbi of America, Inc

Houston, TX 77032

Tel. 001 (713) 674-2900

Fax 001 (713) 674-2982

www.elbi.net

Anaheim, CA 92806

Tel. 001 (714) 674-0590

www.elbi.it

info@elbi.it

