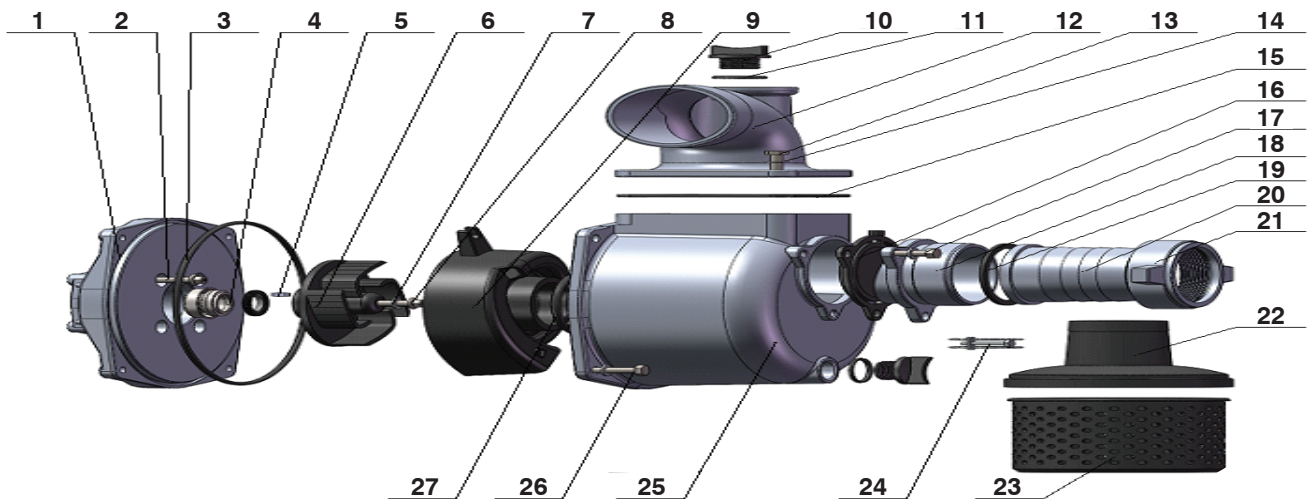


101-1010 3" Pump Assembly



No.	Part No.	DESCRIPTION	Quantity
1	85.150.203EF-01	PUMP SUPPORT	1
2	603-1255	BOLT 5/16"UNF x 2"1/2 HEX HEAD BZP	4
3	380840535-0001	BODY O-RING	1
4	85.150.203EF-04	MECHANICAL SEAL	1
5	85.150.203EF-05	KEY 4.78x4.78x12	1
6	85.150.203EF-06	IMPELLER	1
7	603-1037	PLAIN WASHER LPP T3 M8 BZP	5
8	603-1044	SET SCREW 5/16"UNF x 1"1/4BZP	1
9	85.150.203EF-09	VOLUTE	1
10	660240001-0001	PLUG	2
11	380840501-0001	O-RING	2
12	660250002-0001	OUTLET	1
13	380070123-0004	OUTLET BOLT M10X25	4
14	603-1037	PLAIN WASHER LPP T3 M8 BZP	15
15	660260001-0001	GASKET	1
16	660320002-0001	CHECK VALVE	1
17	380070070-0001	INLET BOLT M10X25	3
18	660230002-0001	INLET	1
19	380840438-0001	3" GASKET	2
20	660280011-0001	3" FLAT SEAT HOSE BARB	2
21	660270012-0001	3" FLYNUT	2
24	380960128-0001	HOSE CLAMP	3
25	660220003-0001	PUMP BODY	1
26	380070123-0004	CONNECT SUPPORT BOLT M10x40	4
27	380840536-0001	VOLUTE SEAL	1